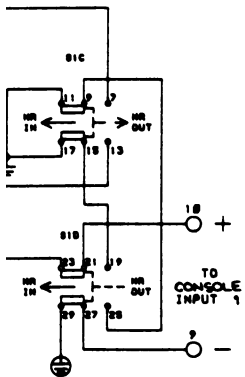
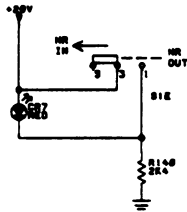
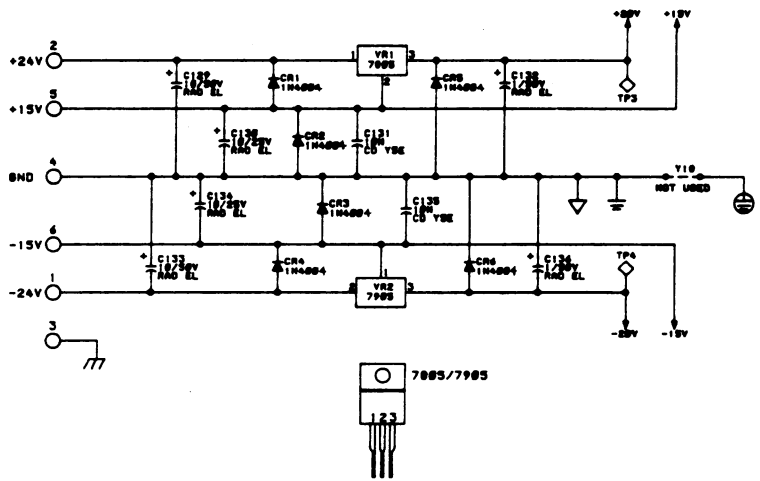


CHANNEL
1



CHANNEL
2



- NOTES:
1. UNLESS OTHERWISE SPECIFIED, ALL RESISTORS ARE EXPRESSED IN OHMS AND ARE 1/4W, 5%.
 2. ALL CAPACITORS ARE EXPRESSED IN MICROFARADS.
 3. ALL MYLAR CAPACITORS ARE +/-5%.
 4. ALL NPO AND S2L CERAMIC DISC CAPACITORS ARE +/-5%.
 5. ALL Y5E CERAMIC DISC CAPACITORS ARE +/-10%.
 6. ALL POLYPROPYLENE CAPACITORS ARE +/-2.5%.
 7. ALL RADIAL ELECTROLYTIC CAPACITORS ARE +/-20% AND ARE LOW LEAKAGE.
 8. SELECT A 10 MFD ELECTROLYTIC CAPACITOR (C26 AND C126) WITH SELECTION PROCEDURE 10000 GROUP A OR B. SELECT RESISTOR (R30 AND R130) WITH SELECTION PROCEDURE 10000 GROUP A OR B.
 9. ▽ DENOTES GROUNDS ARE TIED CLOSELY TOGETHER AND RETURN TO CENTRAL GROUND SEPARATELY.